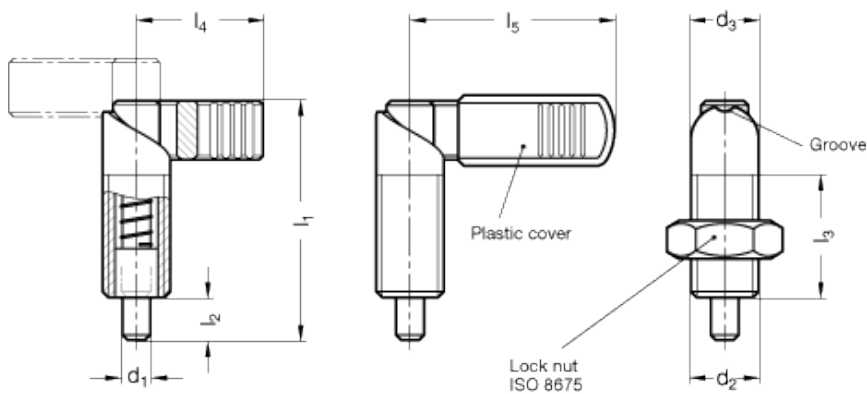


GN 612-NI

Lever indexing plungers with rest position



INOX
Stainless Steel



technical informations

Threaded body
AISI 303 stainless steel.

Plunger

Fine turned and nickel-plated AISI 303 stainless steel. Suggested matching hole in H7 tolerance.

Locking nut

AISI 304 stainless steel.

Lever

AISI 304 stainless steel.

Lever cover

High resilience polyamide based (PA) technopolymer, black colour, matte finish. Resistant to solvents, oils, greases and other chemical agents.

Standard versions available

- Type A: without lever cover, without locking nut.
- Type AK: without lever cover, with locking nut, ISO 8675.
- Type B: with lever cover, without locking nut.
- Type BK: with lever cover, with locking nut, ISO 8675.

Features and applications

GN 612-NI lever indexing plungers are used when the plunger must be retracted quickly. AISI 303 stainless steel, thanks to its high resistance to corrosion, allows the application of these lever indexing plungers on machines and equipment in those sectors where laws or particular hygienic, climatic and environmental factors make it mandatory to use corrosion resistant materials.

Instructions of use

By rotating the lifting lever by 180°, the plunger stops in the retracted position. The lever is kept in this position by a notch.

Standard Elements	Main dimensions								Spring pressure in N \approx		Weight
	Description	d ₁ -0.02/-0.04	d ₂	d ₃	l ₁	l ₂	l ₃ +1.5	l ₄	l ₅	Preload	
GN 612-4-M10-A-NI	4	M10	10	37.5	6	19	21	-	8.5	25	16
GN 612-5-M10-A-NI	5	M10	10	37.5	6	19	21	-	8.5	25	17
GN 612-5-M12-A-NI	5	M12	12	47	8	26	26	-	9	21	28
GN 612-6-M10-A-NI	6	M10	10	37.5	6	19	21	-	8.5	25	18
GN 612-6-M12-A-NI	6	M12	12	47	8	26	26	-	9	21	39
GN 612-6-M16-A-NI	6	M16	16	56	10	30	32	-	12	32	46
GN 612-8-M12-A-NI	8	M12	12	47	8	26	26	-	9	21	58
GN 612-8-M16-A-NI	8	M16	16	56	10	30	32	-	12	32	60
GN 612-8-M20-A-NI	8	M20	20	69	12	36	37	-	21	58	90
GN 612-10-M16-A-NI	10	M16	16	56	10	30	32	-	12	32	100
GN 612-10-M20-A-NI	10	M20	20	69	12	36	37	-	21	58	119
GN 612-12-M20-A-NI	10	M20	20	69	12	36	37	-	21	58	124
GN 612-4-M10-AK-NI	4	M10	10	37.5	6	19	21	-	8.5	25	22
GN 612-5-M10-AK-NI	5	M10	10	37.5	6	19	21	-	8.5	25	29
GN 612-5-M12-AK-NI	5	M12	12	47	8	26	26	-	9	21	35
GN 612-6-M10-AK-NI	6	M10	10	37.5	6	19	21	-	8.5	25	40
GN 612-6-M12-AK-NI	6	M12	12	47	8	26	26	-	9	21	49
GN 612-6-M16-AK-NI	6	M16	16	56	10	30	32	-	12	32	65
GN 612-8-M12-AK-NI	8	M12	12	47	8	26	26	-	9	21	70
GN 612-8-M16-AK-NI	8	M16	16	56	10	30	32	-	12	32	75
GN 612-8-M20-AK-NI	8	M20	20	69	12	36	37	-	21	58	78
GN 612-10-M16-AK-NI	10	M16	16	56	10	30	32	-	12	32	90
GN 612-10-M20-AK-NI	10	M20	20	69	12	36	37	-	21	58	150
GN 612-12-M20-AK-NI	12	M20	20	69	12	36	37	-	21	58	153
GN 612-5-M12-B-NI	5	M12	12	47	8	26	-	32	9	21	22
GN 612-6-M12-B-NI	6	M12	12	47	8	26	-	32	9	21	31
GN 612-6-M16-B-NI	6	M16	16	56	10	30	-	42	12	32	45
GN 612-8-M12-B-NI	8	M12	12	47	8	26	-	32	9	21	59
GN 612-8-M16-B-NI	8	M16	16	56	10	30	-	42	12	32	60
GN 612-8-M20-B-NI	8	M20	20	69	12	36	-	52	21	58	62

GN 612-10-M16-B-NI	10	M16	16	56	10	30	-	42	12	32	120
GN 612-10-M20-B-NI	10	M20	20	69	12	36	-	52	21	58	129
GN 612-12-M20-B-NI	12	M20	20	69	12	36	-	52	21	58	143
GN 612-5-M12-BK-NI	5	M12	12	47	8	26	-	32	9	21	29
GN 612-6-M12-BK-NI	6	M12	12	47	8	26	-	32	9	21	40
GN 612-6-M16-BK-NI	6	M16	16	56	10	30	-	42	12	32	50
GN 612-8-M12-BK-NI	8	M12	12	47	8	26	-	32	9	21	73
GN 612-8-M16-BK-NI	8	M16	16	56	10	30	-	42	12	32	78
GN 612-8-M20-BK-NI	8	M20	20	69	12	36	-	52	21	58	80
GN 612-10-M16-BK-NI	10	M16	16	56	10	30	-	42	12	32	99
GN 612-10-M20-BK-NI	10	M20	20	69	12	36	-	52	21	58	150
GN 612-12-M20-BK-NI	12	M20	20	69	12	36	-	52	21	58	153
GN 612-4-M10x1-A-NI	4	M10x1	10	37.5	6	19	21	-	8.5	25	16
GN 612-5-M10x1-A-NI	5	M10x1	10	37.5	6	19	21	-	8.5	25	45
GN 612-5-M12x1.5-A-NI	5	M12x1.5	12	47	8	26	26	-	9	21	91
GN 612-6-M10x1-A-NI	6	M10x1	10	37.5	6	19	21	-	8.5	25	91
GN 612-6-M12x1.5-A-NI	6	M12x1.5	12	47	8	26	26	-	9	21	93
GN 612-6-M16x1.5-A-NI	6	M16x1.5	16	56	10	30	32	-	12	32	100
GN 612-8-M12x1.5-A-NI	8	M12x1.5	12	47	8	26	26	-	9	21	95
GN 612-8-M16x1.5-A-NI	8	M16x1.5	16	56	10	30	32	-	11	29	103
GN 612-8-M20x1.5-A-NI	8	M20x1.5	20	69	12	36	37	-	21	58	112
GN 612-10-M16x1.5-A-NI	10	M16x1.5	16	56	10	30	32	-	12	32	104
GN 612-10-M20x1.5-A-NI	10	M20x1.5	20	69	12	36	37	-	21	57	115
GN 612-12-M20x1.5-A-NI	12	M20x1.5	20	69	12	36	37	-	21	58	120
GN 612-4-M10x1-AK-NI	4	M10x1	10	37.5	6	19	21	-	8.5	25	70
GN 612-5-M10x1-AK-NI	5	M10x1	10	37.5	6	19	21	-	8.5	25	89
GN 612-5-M12x1.5-AK-NI	5	M12x1.5	12	47	8	26	26	-	9	21	116
GN 612-6-M10x1-AK-NI	6	M10x1	10	37.5	6	19	21	-	8.5	25	116
GN 612-6-M12x1.5-AK-NI	6	M12x1.5	12	47	8	26	26	-	9	21	124
GN 612-6-M16x1.5-AK-NI	6	M16x1.5	16	56	10	30	32	-	12	32	135
GN 612-8-M12x1.5-AK-NI	8	M12x1.5	12	47	8	26	26	-	9	21	127
GN 612-8-M16x1.5-AK-NI	8	M16x1.5	16	56	10	30	32	-	12	32	138
GN 612-8-M20x1.5-AK-NI	8	M20x1.5	20	69	12	36	37	-	21	58	114
GN 612-10-M16x1.5-AK-NI	10	M16x1.5	16	56	10	30	32	-	12	32	140
GN 612-10-M20x1.5-AK-NI	10	M20x1.5	20	69	12	36	37	-	21	58	117
GN 612-12-M20x1.5-AK-NI	12	M20x1.5	20	69	12	36	37	-	21	58	156
GN 612-5-M12x1.5-B-NI	5	M12x1.5	12	47	8	26	-	32	9	21	93
GN 612-6-M12x1.5-B-NI	6	M12x1.5	12	47	8	26	-	32	9	21	95
GN 612-6-M16x1.5-B-NI	6	M16x1.5	16	56	10	30	-	42	12	32	102
GN 612-8-M12x1.5-B-NI	8	M12x1.5	12	47	8	26	-	32	9	21	97
GN 612-8-M16x1.5-B-NI	8	M16x1.5	16	56	10	30	-	42	12	32	105
GN 612-8-M20x1.5-B-NI	8	M20x1.5	20	69	12	36	-	52	21	58	114
GN 612-10-M16x1.5-B-NI	10	M16x1.5	16	56	10	30	-	42	12	32	111
GN 612-10-M20x1.5-B-NI	10	M20x1.5	20	69	12	36	-	52	21	58	117
GN 612-12-M20x1.5-B-NI	12	M20x1.5	20	69	12	36	-	52	21	58	123

GN 612-5-M12x1.5-BK-NI	5	M12x1.5	12	47	8	26	-	32	9	21	118
GN 612-6-M12x1.5-BK-NI	6	M12x1.5	12	47	8	26	-	32	9	21	126
GN 612-6-M16x1.5-BK-NI	6	M16x1.5	16	56	10	30	-	42	12	32	137
GN 612-8-M12x1.5-BK-NI	8	M12x1.5	12	47	8	26	-	32	9	21	129
GN 612-8-M16x1.5-BK-NI	8	M16x1.5	16	56	10	30	-	42	12	32	140
GN 612-8-M20x1.5-BK-NI	8	M20x1.5	20	69	12	36	-	52	21	58	150
GN 612-10-M16x1.5-BK-NI	10	M16x1.5	16	56	10	30	-	42	12	32	147
GN 612-10-M20x1.5-BK-NI	10	M20x1.5	20	69	12	36	-	52	21	58	153
GN 612-12-M20x1.5-BK-NI	12	M20x1.5	20	69	12	36	-	52	21	58	159



ELESA and GANTER models all rights reserved in accordance with the law. Always mention the source when reproducing our drawings.

STANDARD MACHINE ELEMENTS WORLDWIDE